

CABLE TERMINAL ENDS
& IN LINE CONNECTORS



Connectors to the world...

GLOBAL BRASS & ALLOY (INDIA)

An ISO 9001 Certified Company

from a Movement
to a Revolution

Building Strong
Connections



Since 1986



VBI Group of Company



MANUFACTURER & EXPORTER OF ELECTRICAL CABLE ACCESSORIES

BRASS CABLE GLANDS & ACCESSORIES | CABLE TERMINAL ENDS (LUGS) & IN LINE CONNECTORS | EARTHING & LIGHTING PROTECTION ACCESSORIES

www.globeworldwide.com

ABOUT US

VBI (Vrandavan Brass Industries) Group of Companies - a manufacturing unit of brass cable glands & electrical cable accessories at Jamnagar, Gujarat since 1986, with the design, manufacturing & quality of product being highly appreciated & acknowledged by our valued clients across the globe..

From a movement to Revolution.....

VBI Group of companies has established a new brand  under a well-equipped unit **Global Brass & Alloy (India)** An ISO 9001:2015 Certified Company at Jamnagar, Gujarat; (measuring 40,000 sq.ft area) as a faction of uprising corporation incorporating new technology & state of the art machinery for manufacturing wide range of its product. Global Brass & Alloy is now one of the respected and renowned manufacturers of high quality electrical engineering products.

We, at **Global Brass & Alloy (India)** manufacture & export of high quality accurate product range in segment of:

- 1) Brass Cable Glands & Accessories.
- 2) Cable Terminal Ends (Lugs) & In-Line Connectors.
- 3) Earthing & Lighting Accessories.
- 4) Conduit Fittings.
- 5) Other Electrical Accessories.

MISSION

We have accepted a commitment to supply the quality products and services meeting the market demand in all circumstances. We aim to reach the expectations of our customers and provide them the best of all quality products which pass the customer satisfaction test anywhere across the globe. Working with uprightness, focus on the excellence (quality) of the product and the after sales service to guarantee trust is what we at Global strive for.

VISION

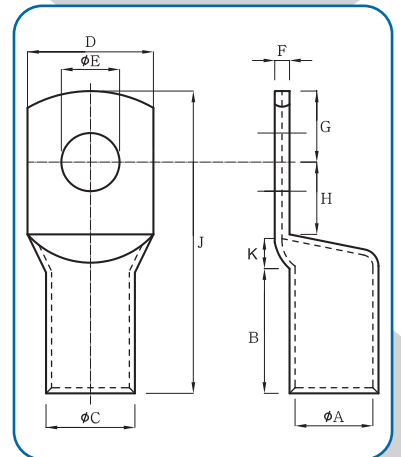
We envision endowing our clients with the best quality of the electrical engineering products along with the reliable services in order to relish the achievement of our vision of being the leading corporation in our field

COPPER TUBULAR TERMINAL ENDS

MATERIAL : ETP - COPPER

FINISH : ELECTRO TINNED

CABLE MM ²	E BOLT MMφ	φA	φC	D	F	B	K	H	G	J	GLOBEX CAT. NO.
2.5	M5	2.4	4.0	8	0.8	7	3	5	5	10	CTL-2.5-5
4.0	M6	3.1	4.8	11	1.0	7	3	6	6	22	CTL-4-6
6.0	M6	3.8	5.5	11	1.0	9	3	6	6	24	CTL-6-6
10	M6	4.4	6.2	11	1.3	9	3	6	6	24	CTL-10-6
16	M6	5.3	7.1	11	1.6	12	4	8	6	30	CTL-16-6
25	M6	7.0	9.0	13	2.0	12	5	12	8	37	CTL-25-6
35	M6	8.2	10.0	15	2.0	12	5	12	8	37	CTL-35-6
	M8	8.2	10.0	15	2.0	12	5	12	8	37	CTL-35-8
50	M6	9.5	11.2	16	2.0	16	8	12	9	45	CTL-50-6
	M8	9.5	11.2	16	2.0	16	8	12	9	45	CTL-50-8
	M10	9.5	11.2	16	2.0	16	8	12	9	45	CTL-50-10
70	M6	11.5	13.8	20	2.3	18	10	15	13	56	CTL-70-6
	M8	11.5	13.8	20	2.3	18	10	15	13	56	CTL-70-8
	M10	11.5	13.8	20	2.3	18	10	15	13	56	CTL-70-10
95	M10	13.0	15.6	23	2.8	20	10	15	13	58	CTL-95-10
	M12	13.0	15.6	23	2.8	20	10	15	13	58	CTL-95-12
120	M10	15.0	17.8	26	3.0	22	10	16	14	62	CTL-120-10
	M12	15.0	17.8	26	3.0	22	10	16	14	62	CTL-120-12
	M16	15.0	17.8	26	3.0	22	10	16	14	62	CTL-120-16
150	M10	16.5	19.6	28	3.6	26	11	18	15	70	CTL-150-10
	M12	16.5	19.6	28	3.6	26	11	18	15	70	CTL-150-12
	M16	16.5	19.6	28	3.6	26	11	18	15	70	CTL-150-16
185	M12	18.5	22.0	32	4.0	28	13	21	21	83	CTL-185-12
	M16	18.5	22.0	32	4.0	28	13	21	21	83	CTL-185-16
225	M16	20.0	24.0	35.0	4.0	32	15	24	24	95	CTL-225-16
240	M16	22.0	26.0	38	4.0	34	15	24	24	97	CTL-240-16
	M20	22.0	26.0	38	4.0	34	15	24	24	97	CTL-240-20
300	M16	24.5	28.7	42	4.7	36	16	25	25	103	CTL-300-16
	M20	24.5	28.7	42	4.7	36	16	25	25	103	CTL-300-20
400	M20	28.5	33.2	49	5.2	44	18	27	27	116	CTL-400-20
500	M20	30.0	36.0	53	6.0	48	18	27	27	12	CTL-500-20
630	M20	35.0	41.5	61	6.5	53	20	33	31	137	CTL-630-20
800	-	39.0	46.3	67	7.3	68	25	-	-	168	CTL-800-B
1000	-	43.0	53.8	76	10.8	90	30	-	-	210	CTL-1000-B

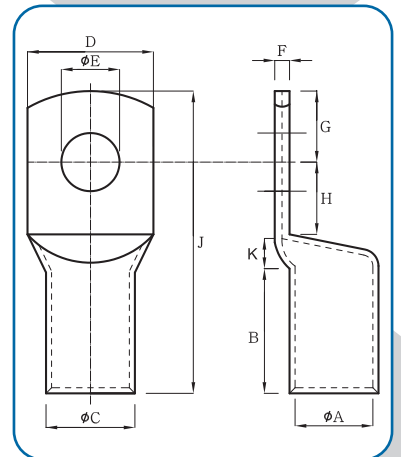


COPPER TUBULAR TERMINAL ENDS - HEAVY DUTY

MATERIAL : ETP - COPPER

FINISH : ELECTRO TINNED

CABLE MM ²	E BOLT MM φ	φA	φC	D	F	B	K	H	G	J	GLOBEX CAT. NO.
1.5	5	1.8	3.7	8	0.8	5	2	5	4	16	CTLH-1.5-5
	6	1.8	3.7	10	0.8	5	2	6	5	18	CTLH-1.5-6
2.5	4	2.4	4	8	1.0	7	2	5	4	18	CTLH-2.5-4
	5	2.4	4	10	1.0	7	2	6	5	20	CTLH-2.5-5
	6	2.4	4	10	1.0	7	2	6	5	20	CTLH-2.5-6
4	6	2.4	4.8	10	1.0	7	2	6	5	20	CTLH-4-6
6	5	3.8	5.5	10	1.2	9	3	6	5	23	CTLH-6-5
	6	3.8	5.5	10	1.2	9	3	6	5	23	CTLH-6-6
	8	3.8	5.5	12	1.2	9	3	9	6	27	CTLH-6-8
10	6	4.5	6.2	12	1.2	9	3	7	6	25	CTLH-10-6
	8	4.5	6.2	12	1.2	9	5	7	6	27	CTLH-10-8
16	6	5.4	7.1	12	1.4	12	4	7	7	30	CTLH-16-6
	8	5.4	7.1	12	1.4	12	4	9	7	32	CTLH-16-8
20	8	6	7.7	12	1.6	12	4	9	7	32	CTLH-20-8
25	6	6.8	8.8	13	2.0	14	3	7	6	30	CTLH-25-6
	8	6.8	8.8	13	2.0	14	3	7	6	30	CTLH-25-8
	10	6.8	8.8	16	2.0	14	3	11	9	37	CTLH-25-10
35	6	8.2	10.6	15	2.4	14	3	9	9	35	CTLH-35-6
	8	8.2	10.6	15	2.4	14	3	9	9	35	CTLH-35-8
	10	8.2	10.6	15	2.4	14	3	9	9	35	CTLH-35-10
50	8	9.5	12.4	18	2.9	19	3	11	10	43	CTLH-50-8
	10	9.5	12.4	18	2.9	19	3	11	10	43	CTLH-50-10
70	8	11.2	14.7	21	3.5	21	4	13	12	50	CTLH-70-8
	10	11.2	14.7	21	3.5	21	4	13	12	50	CTLH-70-10
	13	11.2	14.7	21	3.5	21	4	13	12	50	CTLH-70-13
95	10	13.5	17.4	25	3.9	23	6	13	13	55	CTLH-95-10
	13	13.5	17.4	25	3.9	23	6	13	13	55	CTLH-95-13
120	17	15	19.4	28	4.4	25	7	14	14	60	CTLH-120-17
	18	15	19.4	28	4.4	25	7	14	14	60	CTLH-120-18
150	13	16.5	21.2	30	4.7	30	7	16	16	69	CTLH-150-13
	17	16.5	21.2	30	4.7	30	7	16	16	69	CTLH-150-17
185	17	18.5	23.5	34	5.0	32	12	17	17	78	CTLH-185-17
240	17	21	26.5	38	5.5	42	10	20	20	92	CTLH-240-17
	21	21	26.5	38	5.5	42	10	20	20	92	CTLH-240-21
300	17	23.5	30	43	6.5	46	11	22	22	101	CTLH-300-17
	21	23.5	30	43	6.5	46	11	22	22	101	CTLH-300-21
400	17	28.5	36.5	50	8.0	49	13	26	26	114	CTLH-400-17
	21	28.5	36.5	50	8.0	49	13	26	26	114	CTLH-400-21
500	21	30	39	56	9.0	53	15	28	28	124	CTLH-500-21
630	21	21	35	65	10.0	61	17	33	33	144	CTLH-630-21
800	B	39	50.6	73	11.0	78	17	40	35	170	CTLH-800B
1000	B	43	56.2	81	13.0	90	20	45	45	200	CTLH-1000B

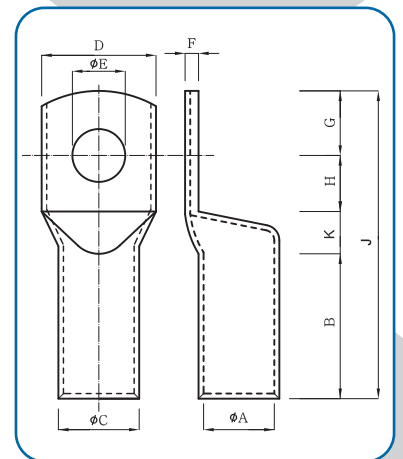


COPPER TUBULAR LONG BARREL TERMINAL ENDS

MATERIAL : ETP - COPPER

FINISH : ELECTRO TINNED

CABLE MM ²	E BOLT MMφ	φA	φC	D	F	B	K	H	G	J	GLOBEX CAT. NO.
2.5	5	2.0	3.7	9	1.0	10.5	3	5	5	23.5	CTLB-2.5-5
4	6	3.1	4.8	11	1.0	10.5	3	6	6	25.5	CTLB-4-6
6	6	3.8	5.5	11	1.0	13.5	3	6	6	28.5	CTLB-6-6
10	6	4.4	6.2	11	1.3	13.5	3	6	6	28.5	CTLB-10-6
16	6	5.3	7.1	11	1.6	18.0	4	8	6	36	CTLB-16-6
25	6	7.0	9.0	13	2.0	18.0	5	12	8	43	CTLB-25-6
35	6	8.0	10.0	15	2.0	18.0	5	12	8	43	CTLB-35-6
	8	8.0	10.0	15	2.0	18.0	5	12	8	43	CTLB-35-8
50	6	9.2	11.2	16	2.0	24.0	8	11	10	53	CTLB-50-6
	8	9.2	11.2	16	2.0	24.0	8	11	10	53	CTLB-50-8
	10	9.2	11.2	16	2.0	24.0	8	11	10	53	CTLB-50-10
70	8	11.6	13.8	20	2.2	27.0	10	15	13	65	CTLB-70-8
	10	11.6	13.8	20	2.2	27.0	10	15	13	65	CTLB-70-10
	12	11.6	13.8	20	2.2	27.0	10	15	13	65	CTLB-70-12
95	10	12.8	15.6	23	2.8	30.0	10	15	13	68	CTLB-95-10
	12	12.8	15.6	23	2.8	30.0	10	15	13	68	CTLB-95-12
120	10	14.8	17.8	26	3.0	33.0	10	16	14	73	CTLB-120-10
	12	14.8	17.8	26	3.0	33.0	10	16	14	73	CTLB-120-12
	16	14.8	17.8	26	3.0	33.0	10	16	14	73	CTLB-120-16
150	10	16.0	19.6	28	3.6	39.0	11	18	15	83	CTLB-150-10
	12	16.0	19.6	28	3.6	39.0	11	18	15	83	CTLB-150-12
	16	16.0	19.6	28	3.6	39.0	11	18	15	83	CTLB-150-16
185	12	18.0	22.0	32	4.0	45.0	11	21	21	98	CTLB-185-12
	16	18.0	22.0	32	4.0	45.0	11	21	21	98	CTLB-185-16
225	16	20.0	24.0	35	4.0	51.0	13	24	24	112	CTLB-225-16
240	16	22.0	26.0	38	4.0	54.0	13	24	24	115	CTLB-240-16
	20	22.0	26.0	38	4.0	54.0	13	24	24	115	CTLB-240-20
300	16	24.0	28.7	42	4.7	58.0	13	26	25	122	CTLB-300-16
	20	24.0	28.7	42	4.7	58.0	13	26	25	122	CTLB-300-20
400	20	28.0	33.2	49	5.2	66.0	18	27	27	138	CTLB-400-20
500	20	30.0	36.0	53	6.0	72.0	18	27	27	144	CTLB-500-20
630	20	35.0	41.5	61	6.5	83.0	18	33	31	165	CTLB-630-20
800	20	39.0	46.3	67	7.3	98.0	25	38	37	198	CTLB-800-20
1000	20	43.0	53.8	76	10.8	135.0	30	45	45	255	CTLB-1000-20

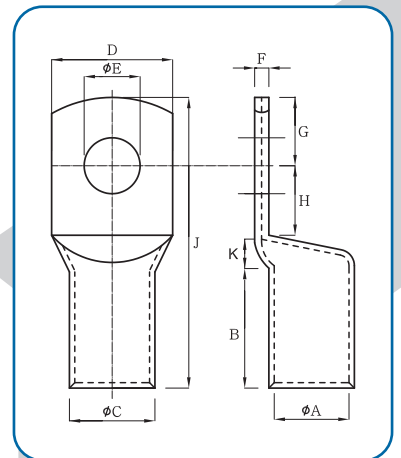


COPPER TUBULAR LONG BARREL TERMINAL ENDS - HEAVY DUTY

MATERIAL : ETP - COPPER

FINISH : ELECTRO TINNED

CABLE MM ²	E BOLT MMφ	φA	φC	D	F	B	K	H	G	J	GLOBEX CAT. NO.
25	8	7.0	9.0	13.0	2.0	16	5	12	8	41	CTLBH-25-8
35	8	8.0	10.6	15.0	2.6	20	5	14	9	48	CTLBH-38-8
50	8	9.2	12.2	17.0	3.0	26	7	16	10	59	CTLBH-50-8
70	10	11.5	15.0	21.0	3.5	28	7	19	12	66	CTLBH-70-10
95	12	12.8	17.0	24.0	4.2	32	10	20	12	74	CTLBH-95-12
120	12	14.8	19.6	28.0	4.8	35	10	23	14	82	CTLBH-120-12
150	12	16.0	21.2	30.0	5.2	38	10	24	14	86	CTLBH-150-12
185	12	18.0	24.0	34.0	6.0	43	12	23	17	95	CTLBH-185-12
240	16	22.0	28.0	40.0	6.0	50	12	30	20	112	CTLBH-240-16
300	16	23.5	30.0	43.0	6.5	54	14	28	24	120	CTLBH-300-16
400	20	28.0	36.0	50.0	8.0	62	18	36	24	140	CTLBH-400-20
500	21	31.0	41.0	58.0	10.0	60				140	CTLBH-500-21
630	21	35.0	45.0	64.0	10.0	69				154	CTLBH-630-21

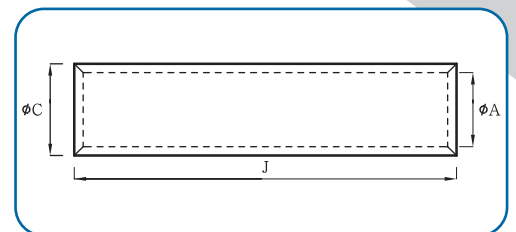


COPPER TUBE INLINE CONNECTOR

MATERIAL : ETP - COPPER

FINISH : ELECTRO TINNED

CABLE MM ²	φA	φC	J	GLOBEX CAT. NO.
25	6.8	8.8	32	CTIC-25
35	8.2	10.6	36	CTIC-35
50	9.5	12.4	40	CTIC-50
70	11.2	14.7	40	CTIC-70
95	13.5	17.4	45	CTIC-95
120	15.0	19.4	45	CTIC-120
150	16.5	21.2	55	CTIC-150
185	18.5	23.5	65	CTIC-185
240	21.0	26.5	80	CTIC-240
300	23.5	30.0	85	CTIC-300
400	26.8	34.8	90	CTIC-400
500	30.0	39.0	100	CTIC-500
630	35.0	45.0	110	CTIC-630
800	39.0	50.6	150	CTIC-800
1000	43.0	56.2	170	CTIC-1000

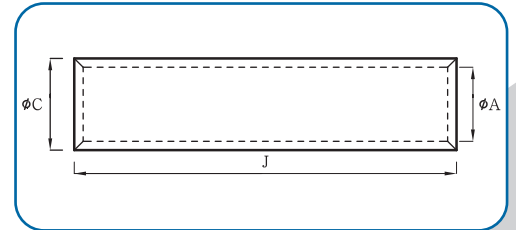


COPPER TUBE INLINE CONNECTOR - HEAVY DUTY

MATERIAL : ETP - COPPER

FINISH : ELECTRO TINNED

CABLE MM ²	φA	φC	J	LOBEX CAT. NO.
1.5	1.6	3.2	15	CTICH -1.5
2.5	2.4	4.0	15	CTICH -2.5
4	3.1	4.8	15	CTICH -4
6	3.8	5.5	15	CTICH -6
10	4.5	6.2	20	CTICH -10
16	5.4	7.1	20	CTICH -16
25	6.8	8.8	32	CTICH -25
35	8.2	10.6	36	CTICH -35
50	9.5	12.4	40	CTICH -50
70	11.2	14.7	40	CTICH -70
95	13.5	17.4	45	CTICH -95
120	15.0	19.4	45	CTICH -120
150	16.5	21.2	55	CTICH -150
185	18.5	23.5	65	CTICH -185
240	21.0	26.5	80	CTICH -240
300	23.5	30.0	85	CTICH -300
400	26.8	34.8	90	CTICH -400
500	30.0	39.0	100	CTICH -500
630	35.0	45.0	110	CTICH -630

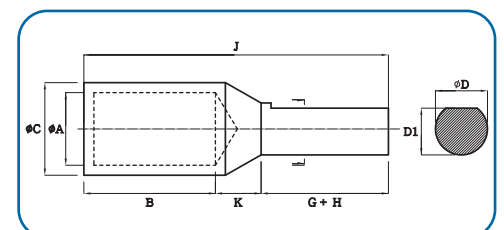


COPPER REDUCER TERMINAL ENDS

MATERIAL : ETP - COPPER

FINISH : ELECTRO TINNED

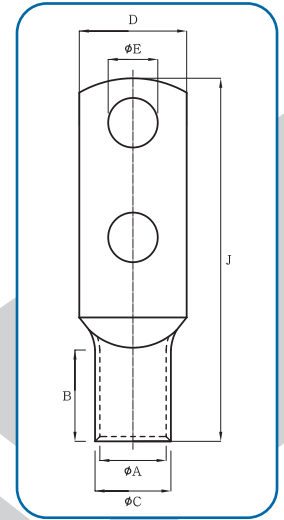
CABLE MM ²	φA	φC	φD	D-1	B	K	G+H	J	LOBEX CAT. NO.
2.5	2.5	4.7	3.8	3.3	6	4	10	20	CRPL-2.5
4.0	2.8	4.7	3.8	3.3	6	4	10	20	CRPL-4
6.0	3.1	4.7	3.8	3.3	6	4	10	20	CRPL-6
10	3.8	5.5	3.8	3.3	9	4	10	23	CRPL-10
10	4.4	6.2	3.8	3.3	9	4	10	23	CRPL-10A
16	5.3	7.1	3.8	3.3	13	4	13	30	CRPL-16
25	7.0	9.0	6.0	5.5	12	5	15	32	CRPL-25
35	8.0	10.0	7.5	6.5	12	5	20	37	CRPL-35
50	9.2	11.2	7.5	6.5	16	5	20	41	CRPL-50
70	11.3	13.8	7.5	6.5	18	5	20	43	CRPL-70
95	12.8	15.6	11.5	10.5	20	6	25	51	CRPL-95
120	14.8	17.8	11.5	10.5	22	6	32	60	CRPL-120
150	16.0	19.6	11.5	10.5	26	6	32	64	CRPL-150
185	18.0	22.0	11.5	10.5	32	6	32	70	CRPL-185
225	20.0	26.0	15.6	14.0	38	8	32	78	CRPL-225
240	21.2	26.0	15.6	14.0	38	8	32	78	CRPL-240
300	24.0	28.7	16.0	15.0	42	8	42	92	CRPL-300
400	27.0	33.2	15.6	14.0	46	12	32	90	CRPL-400



COPPER TUBULAR TWO HOLE TERMINAL ENDS

MATERIAL : ETP - COPPER
FINISH : ELECTRO TINNED

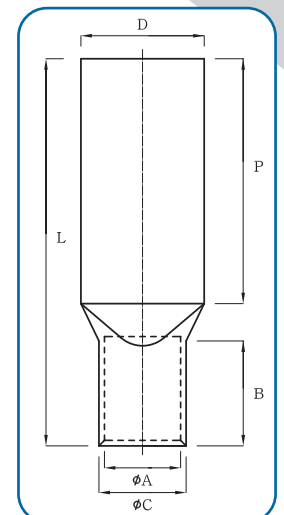
CABLE MM ²	E	A	C	D	B	J	GLOBEX CAT. NO
95	10.5	13.5	17.4	25	30	116	CTL2-95
120	10.5	15	19.4	27.5	35	122	CTL2-120
120	13	15	19.4	27.5	35	122	CTL2-120A
150	10.5	16.5	21.2	30	40	126	CTL2-150
150	13	16.5	21.2	30	40	126	CTL2-150A
185	10.5	18.5	23.5	33.5	42	132	CTL2-185
240	10.5	21	26.5	38.5	50	143	CTL2-240
300	13.7	23.5	30	43	55	144	CTL2-300
300	13.7	28.5	36.5	52.5	60	149	CTL2-300A
630	13.7	30	39	56	65	160	CTL2-630
800	13.7	35	45	36.8	75	160	CTL2-800



COPPER BLANK TUBULAR TERMINAL ENDS

MATERIAL : ETP - COPPER
FINISH : ELECTRO TINNED

CABLE MM ²	A	C	D	P	B	L	GLOBEX CAT. NO
50	9.5	12.7	22	71	22	99	CBTL-50
70	11.1	14.3	28	88	25	120	CBTL-70
95	13.5	17.5	26	74	25	106	CBTL-95
120	15.5	20.6	29	74	32	113	CBTL-120
150	16.3	22.2	33	82	32	122	CBTL-150
185	18.3	24.3	35	82	32	122	CBTL-185
240	21.2	28.6	40	86	42	145	CBTL-240
300	23.8	31.9	45	94	47	160	CBTL-300
400	26.8	34.8	49	94	50	164	CBTL-400
500	30	38	55	94	50	164	CBTL-500
630	33.5	45	63	98	55	173	CBTL-630

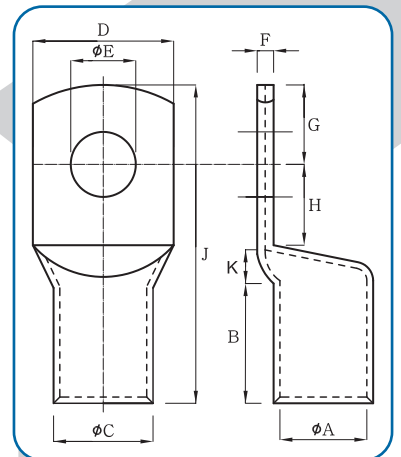


COPPER TUBULAR RAILWAY SERIES TERMINAL ENDS (ICF SERIES)

MATERIAL : ETP - COPPER

FINISH : ELECTRO TINNED

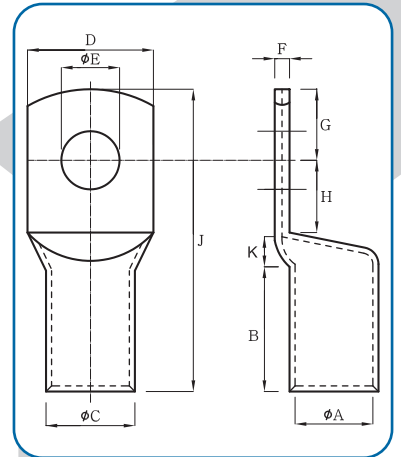
CABLE MM ²	E	A	C	D	F	B	K	H	G	J	LOBEX CAT. NO
17	5.2	6.0	8.5	11.9	2.5	14	3	10	6	33	CTLR-17
	6.5	6.0	8.5	11.9	2.5	14	3	10	6	33	CTLR-17A
	8.2	6.0	8.5	16.0	1.7	14	3	11	9	37	CTLR-17B
	10.2	6.0	8.5	16.0	1.7	14	3	11	9	37	CTLR-17C
23	5.2	7.1	10.2	14.3	3.1	18	4	10	7	39	CTLR-23
	6.5	7.1	10.2	14.3	3.1	18	4	10	7	39	CTLR-23A
	8.2	7.1	10.2	14.3	3.1	18	4	10	7	39	CTLR-23B
	10.2	7.1	10.2	19.0	2.2	18	4	12	10	44	CTLR-23C
29	5.2	8.0	11.7	16.3	3.7	18	4	11	8	41	CTLR-29
	6.5	8.0	11.7	16.3	3.7	18	4	11	8	41	CTLR-29A
	8.2	8.0	11.7	16.3	3.7	18	4	11	8	41	CTLR-29B
	10.2	8.0	11.7	20.0	2.8	18	4	14	11	47	CTLR-29C
45	5.2	9.8	13.7	19.3	3.9	18	5	10	10	43	CTLR-45
	6.5	9.8	13.7	19.3	3.9	18	5	10	10	43	CTLR-45A
	8.2	9.8	13.7	19.3	3.9	18	5	10	10	43	CTLR-45B
	10.2	9.8	13.7	19.3	3.9	18	5	10	10	43	CTLR-45C
57	5.2	9.8	13.7	22.0	3.2	18	5	14	11	48	CTLR-45D
	6.5	11.1	15.8	22.2	4.7	24	6	15	11	56	CTLR-57
	8.2	11.1	15.8	22.2	4.7	24	6	15	11	56	CTLR-57A
	10.2	11.1	15.8	22.2	4.7	24	6	15	11	56	CTLR-57B
75	13.0	11.1	15.8	22.2	4.7	24	6	15	11	56	CTLR-57C
	6.5	12.6	17.8	25.0	5.2	24	6	15	13	58	CTLR-75
	8.2	12.6	17.8	25.0	5.2	24	6	15	13	58	CTLR-75A
	10.2	12.6	17.8	25.0	5.2	24	6	15	13	58	CTLR-75B
90	13.0	12.6	17.8	25.0	5.2	24	6	15	13	58	CTLR-75C
	6.5	13.7	19.1	26.9	5.4	24	6	16	13	59	CTLR-90
	8.2	13.7	19.1	26.9	5.4	24	6	16	13	59	CTLR-90A
	10.2	13.7	19.1	26.9	5.4	24	6	16	13	59	CTLR-90B
110	13.0	13.7	19.1	26.9	5.4	24	6	16	13	59	CTLR-90C
	6.5	15.3	20.9	29.6	5.6	24	6	17	15	62	CTLR-110
	8.2	15.3	20.9	29.6	5.6	24	6	17	15	62	CTLR-110A
	10.2	15.3	20.9	29.6	5.6	24	6	17	15	62	CTLR-110B
146	13.0	15.3	20.9	29.6	5.6	24	6	17	15	62	CTLR-110C
	8.2	17.5	24.0	34.0	6.5	29	7	18	17	71	CTLR-146
	10.2	17.5	24.0	34.0	6.5	29	7	18	17	71	CTLR-146A
	13.0	17.5	24.0	34.0	6.5	29	7	18	17	71	CTLR-146B
183	17.0	17.5	24.0	34.0	6.5	29	7	18	17	71	CTLR-146C
	10.2	19.8	26.9	38.2	7.1	29	8	21	18	76	CTLR-183
	13.0	19.8	26.9	38.2	7.1	29	8	21	18	76	CTLR-183A
	17.0	19.8	26.9	38.2	7.1	29	8	21	18	76	CTLR-183B
225	10.2	21.9	29.7	42.2	7.8	29	9	24	21	83	CTLR-225
	13.0	21.9	29.7	42.2	7.8	29	9	24	21	83	CTLR-225A
	17.0	21.9	29.7	42.2	7.8	29	9	24	21	83	CTLR-225B
	21.0	21.9	29.7	42.2	7.8	29	9	24	21	83	CTLR-225C
299	13.0	25.4	34.0	48.5	8.6	29	10	26	24	89	CTLR-299
	17.0	25.4	34.0	48.5	8.6	29	10	26	24	89	CTLR-299A
	21.0	25.4	34.0	48.5	8.6	29	10	26	24	89	CTLR-299B
366	13.0	28.0	37.6	53.6	9.6	38	11	29	26	105	CTLR-366
	17.0	28.0	37.6	53.6	9.6	38	11	29	26	105	CTLR-366A
	21.0	28.0	37.6	53.6	9.6	38	11	29	26	105	CTLR-366B
437	13.0	30.5	41.7	59.1	11.2	38	12	32	29	111	CTLR-437
	17.0	30.5	41.7	59.1	11.2	38	12	32	29	111	CTLR-437A
	21.0	30.5	41.7	59.1	11.2	38	12	32	29	111	CTLR-437B



ALUMINIUM TUBULAR TERMINAL ENDS

MATERIAL : ALUMINIUM IS : 5082

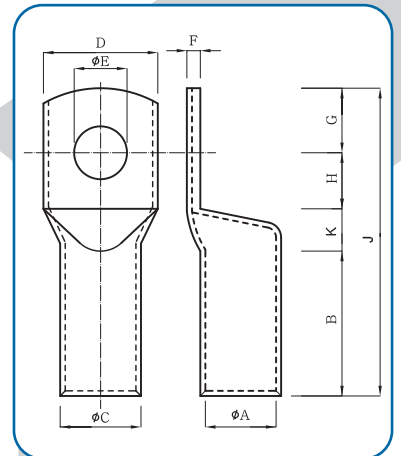
CABLE MM ²	E BOLT MMφ	φA	φC	D	F	B	K	G+H	J	LOBEX CAT. NO.
2.5	M3	2.0	5.5	7.0	3.5	7	3	8	18	ATL-2.5-3
4	M4	2.9	5.5	7.0	2.6	7	3	8	18	ATL-4-4
	M5			12.0	1.2	7	4	13	24	ATL-4-5
6	M5	3.5	5.5	8.0	2.0	7	4	13	24	ATL-6-5
	M6			12.0	1.1					ATL-6-6
10	M6	4.4	7.4	10.0	2.8	9	4	17	30	ATL-10-6
	M8			15.0	1.8					ATL-10-8
16	M6	5.4	8.3	11.0	2.9	13	4	20	37	ATL-16-6
	M8			11.0	2.9					ATL-16-8
	M10			18.0	1.8					ATL-16-10
25	M8	7.0	10.0	14.0	3.0	16	7	21	44	ATL-25-8
	M10			20.0	1.7					ATL-25-10
	M12			20.0	1.7					ATL-25-12
35	M6	8.0	10.8	15.0	2.8	18	7	22	47	ATL-35-6
	M8			15.0	2.8					ATL-35-8
	M10			20.0	2.1					ATL-35-10
50	M8	9.3	13.0	18.0	3.7	22	8	24	54	ATL-50-8
	M10			23.0	2.8					ATL-50-10
	M12			23.0	2.8					ATL-50-12
70	M8	11.6	16.0	22.0	4.4	26	8	26	60	ATL-70-8
	M10									ATL-70-10
	M12									ATL-70-12
95	M10	12.9	17.1	25.0	4.2	28	8	28	64	ATL-95-10
	M12									ATL-95-12
	M16									ATL-95-16
120	M10	14.8	19.6	28.0	4.8	32	11	30	73	ATL-120-10
	M12									ATL-120-12
	M16									ATL-120-16
150	M10	16.1	21.2	31.0	5.1	34	11	34	79	ATL-150-10
	M12									ATL-150-12
	M16									ATL-150-16
185	M10	18.0	327	34.0	5.7	36	12	36	84	ATL-185-10
	M12									ATL-185-12
	M16									ATL-185-16
225	M12	20.6	27.0	39.0	6.4	40	14	40	94	ATL-225-12
240	M12	22.0	28.0	40.0	6.0	44	14	44	102	ATL-240-12
	M16									ATL-240-16
300	M16	24.0	31.0	45.7	7.0	47	14	54	115	ATL-300-16
	M20									ATL-300-20
400	M20	28.0	36.0	51.0	8.0	56	13	61	130	ATL-400-20
500	M20	30.0	41.0	58.0	11.0	60	15	65	140	ATL-500-20
630	M20	35.0	46.0	66.0	11.0	69	16	69	154	ATL-630-20
800	-	39.0	51.0	73.0	12.0	77	25	78	180	ATL-800
1000	-	43.5	57.0	81.0	13.5	100	30	90	220	ATL-1000



ALUMINIUM TUBULAR LONG BARREL TERMINAL ENDS

MATERIAL : ALUMINIUM IS:5082

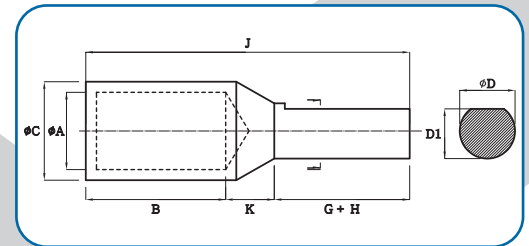
CABLE MM ²	E BOLT MM ϕ	ϕA	ϕC	D	F	B	K	G+H	J	GLOBEX CAT. NO.
2.5	M3	2.0	5.5	7.0	3.5	10.5	3	8	21.5	ATLB-2.5-3
4	M4	2.9	5.5	7.0	2.6	10.5	3	8	21.5	ATLB-4-4
	M5			12.0	1.2		4	13	27.5	ATLB-4-5
6	M5	3.5	5.5	8.0	2.0	10.5	4	13	27.5	ATLB-6-5
	M6			12.0	1.1					ATLB-6-6
10	M4	4.4	7.4	8.0	2.4	13.5	4	17	34.5	ATLB-10-4
	M6			10.0	2.8					ATLB-10-6
	M8			15.0	1.8					ATLB-10-8
16	M6	5.4	8.3	11.0	2.9	19.5	4	20	43.5	ATLB-16-6
	M8			11.0	2.9					ATLB-16-8
	M10			18.0	1.8					ATLB-16-10
25	M8	7.0	10.0	14.0	3.0	24	7	21	52	ATLB-25-8
	M10			20.0	1.7					ATLB-25-10
	M12			20.0	1.7					ATLB-25-12
35	M8	8.0	10.8	15.0	2.8	27	7	22	56	ATLB-35-8
	M10			20.0	2.1					ATLB-35-10
	M12			20.0	2.1					ATLB-35-12
50	M8	9.3	13.0	18.0	3.7	33	8	24	65	ATLB-50-8
	M10			23.0	2.8					ATLB-50-10
	M12			23.0	2.8					ATLB-50-12
70	M8	11.6	16.0	22.0	4.4	39	8	26	73	ATLB-70-8
	M10									ATLB-70-10
	M12									ATLB-70-12
95	M10	12.9	17.1	25.0	4.2	42	8	28	78	ATLB-95-10
	M12									ATLB-95-12
	M16									ATLB-95-16
120	M10	14.8	19.6	28.0	4.8	48	11	30	89	ATLB-120-10
	M12									ATLB-120-12
	M16									ATLB-120-16
150	M10	16.1	21.2	31.0	5.1	51	11	34	96	ATLB-150-10
	M12									ATLB-150-12
	M16									ATLB-150-16
185	M10	18.0	23.7	34.0	5.7	54	12	36	102	ATLB-185-10
	M12									ATLB-185-12
	M16									ATLB-185-16
225	M12	20.6	27.0	39.0	6.4	60	14	40	114	ATLB-225-12
240	M12	22.0	28.0	40.0	6.0	66	14	44	124	ATLB-240-12
	M16									ATLB-240-16
300	M16	24.0	31.0	45.7	7.0	70.5	14	54	138.5	ATLB-300-16
	M20									ATLB-300-16
400	M20	28.0	36.0	51.0	8.0	84	13	61	158	ATLB-400-20
500	M20	30.0	41.0	58.0	11.0	90	15	65	170	ATLB-500-20
630	M20	35.0	46.0	66.0	11.0	103.5	16	69	188.5	ATLB-630-20
800	-	39.0	51.0	73.0	12.0	115.5	25	78	218.5	ATLB-800-B
1000	-	43.5	57.0	81.0	13.5	150	30	90	270	ATLB-1000-B



ALUMINIUM REDUCER TERMINAL ENDS

MATERIAL : ALUMINIUM IS:5082

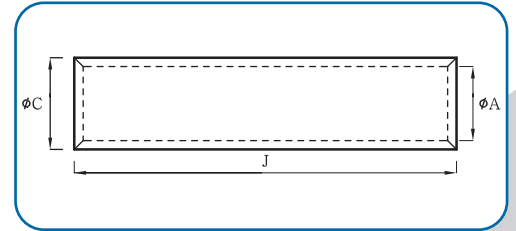
CABLE MM ²	φA	φC	φD	D-1	B	K	G+H	J	GLOBEX CAT. NO.
2.5	2.0	5.5	4.5	4.0	7	4	10	21	ARPL-2.5
	2.6		3.8	3.3					ARPL-2.5A
4.0	2.9	5.5	4.5	4.0	7	4	10	21	ARPL-4
			3.8	3.3					ARPL-4A
6.0	3.5	5.5	4.5	4.0	7	4	10	21	ARPL-6
			3.8	3.3					ARPL-6A
10	3.8	7.4	4.5	4.0	9	4	10	23	ARPL-10
	3.8		3.8	3.3					ARPL-10A
	4.4		4.5	4.0					ARPL-10B
	4.4		3.8	3.3					ARPL-10C
16	5.4	8.3	6.0	5.5	13	5	15	33	ARPL-16
			6.0	5.5			20	38	ARPL-16A
			3.8	3.3			13	31	ARPL-16B
25	7.0	10.0	6.0	5.5	16	5	15	36	ARPL-25
			7.5	6.5			20	41	ARPL-25A
35	8.0	10.8	7.5	6.5	18	5	20	43	ARPL-35
			7.5	6.5			20	47	ARPL-50
50	9.3	13.0	7.5	6.5	22	5	20	53	ARPL-50A
	10.4	14.0	14	13			7	24	53
70	11.6	16.0	7.5	6.5	26	5	20	51	ARPL-70
			11.5	10.5			25	56	ARPL-70A
			11.5	10.5			32	63	ARPL-70B
95	12.9	17.1	11.5	10.5	28	6	25	59	ARPL-95
			15.6	14.0			27	61	ARPL-95A
			7.5	6.5			22	56	ARPL-95B
			12.8	11.8			32	66	ARPL-95C
120	14.8	19.6	11.5	10.5	32	6	25	63	ARPL-120
			7.5	6.5			22	60	ARPL-120A
			11.5	10.5			32	70	ARPL-120B
			15.6	14			32	70	ARPL-120C
150	16.1	21.2	15.6	14	34	6	32	72	ARPL-150
			11.5	10.5			32	72	ARPL-150A
185	18.0	23.7	15.6	14	36	6	32	74	ARPL-185
			11.5	10.5			32	74	ARPL-185A
225	20.6	27.0	15.6	14	40	8	32	80	ARPL-225
			21	18			42	90	ARPL-225A
			16	15			42	90	ARPL-225B
240	22.0	28.0	16	15	44	8	42	94	ARPL-240
			15.6	14			32	84	ARPL-240A
300	24.0	31.0	16	15	47	8	42	97	ARPL-300
			15.6	14			32	87	ARPL-300A



ALUMINIUM INLINE CONNECTOR

MATERIAL : ALUMINIUM IS:5082

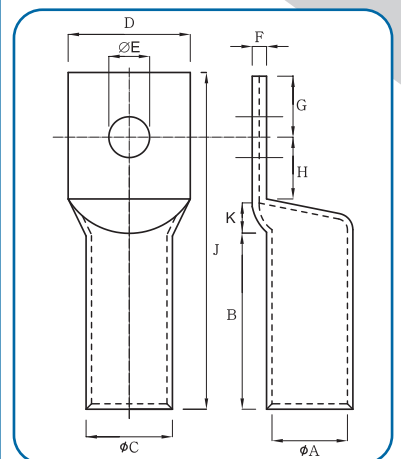
CABLE MM ²	φA	φC	J	GLOBEX CAT. NO.
2.5	2.6	5.5	16	AIC-2.5
4	2.9	5.5	16	AIC-4
6	3.5	5.5	16	AIC-6
10	4.4	7.4	20	AIC-10
16	5.4	8.3	26	AIC-16
25	7.0	10.0	35	AIC-25
35	8.0	10.8	40	AIC-35
50	9.3	13.0	45	AIC-50
70	11.6	16.0	55	AIC-70
95	12.9	17.1	60	AIC-95
120	14.8	19.6	65	AIC-120
150	16.1	21.2	70	AIC-150
185	18.0	23.7	75	AIC-185
225	20.6	27.0	85	AIC-225
240	22.0	28.0	90	AIC-240
300	24.0	31.0	100	AIC-300
400	28.0	36.0	115	AIC-400
500	30.0	41.0	125	AIC-500
630	35.0	46.0	140	AIC-630
800	39.0	51.0	160	AIC-800
1000	43.5	57.0	210	AIC-1000



ALUMINIUM TUBULAR TERMINAL ENDS FOR XLPE CABLE

MATERIAL : ALUMINIUM IS:5082

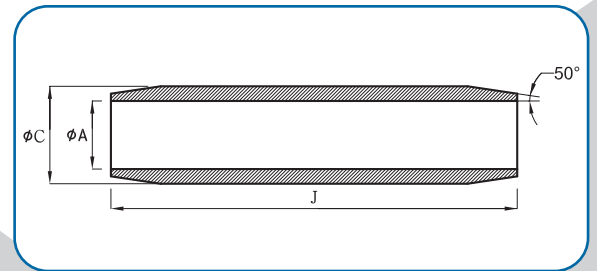
CABLE MM ²	φE	φA	φC	D	F	B	K	H	G	J	GLOBEX CAT. NO.
25	8.2	7.2	9.6	14.0	2.4	41	7	12	9	69	ATL XLP-25-8
35	8.2	8.3	11.1	16.0	2.8	50	7	11	11	79	ATL XLP-35-8
50	10.0	10.0	13.5	19.5	3.4	49	8	13	11	81	ATL XLP-50-10
70	10.0	10.2	14.5	20.5	4.3	62	8	13	13	96	ATL XLP-70-10
95	12.7	12.0	16.9	23.5	4.9	73	8	14	14	109	ATL XLP-95-12
120	12.7	13.7	19.0	26.5	5.3	73	11	15	15	114	ATL XLP-120-12
150	12.7	15.1	21.1	29.5	6.1	83	11	17	17	128	ATL XLP-150-12
185	12.7	16.6	23.9	33.0	7.3	83	12	18	18	131	ATL XLP-185-12
225	12.7	18.6	26.1	36.0	7.5	86	14	20	20	140	ATL XLP-225-12
240	12.7	19.3	27.2	37.5	7.9	86	14	22	22	144	ATL XLP-240-12
300	20.3	21.8	30.2	42.0	8.4	89	14	27	27	157	ATL XLP-300-20
400	20.3	25.0	34.8	48.0	9.8	113	13	30	30	187	ATL XLP-400-20
500	20.3	28.2	39.1	54.0	10.9	125	15	32	32	205	ATL XLP-500-20
630	20.3	31.7	44.4	61.0	12.7	140	16	34	34	225	ATL XLP-630-20
800	20.3	35.7	49.5	68.0	13.8	147	25	39	39	250	ATL XLP-800-20
1000	20.3	41.0	56.0	77.5	15.0	160	30	45	45	280	ATL XLP-1000-20



ALUMINIUM INLINE CONNECTOR FOR XLPE CABLE

MATERIAL : ALUMINIUM IS:5082

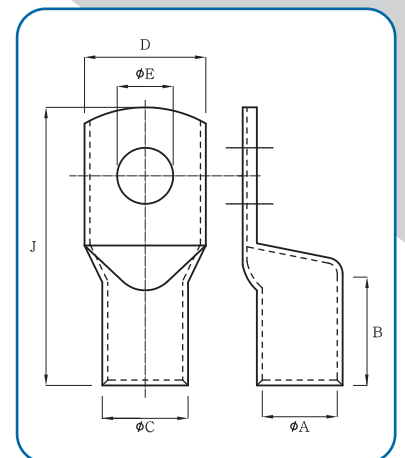
CABLE MM ²	φA	φC	J	GLOBEX CAT. NO.
25	7.2	9.6	82	AIC XLP -25
35	8.3	11.1	90	AIC XLP -35
50	10.1	13.5	100	AIC XLP -50
70	10.2	14.5	104	AIC XLP -70
95	12.0	16.9	108	AIC XLP -95
120	13.7	19.0	112	AIC XLP -120
150	15.1	21.2	116	AIC XLP -150
185	16.6	23.9	128	AIC XLP -185
225	18.6	26.1	136	AIC XLP -225
240	19.3	27.2	148	AIC XLP -240
300	21.8	30.2	160	AIC XLP -300
400	25.0	34.8	182	AIC XLP -400
500	28.2	39.1	190	AIC XLP -500
630	31.7	44.4	200	AIC XLP -630
800	35.7	49.5	225	AIC XLP -800
1000	41.0	56.0	250	AIC XLP -1000



ALUMINIUM ALLOY BI - METALLIC TERMINAL ENDS

MATERIAL :

CABLE MM ²	E	A	C	D	B	J	GLOBEX Product Code
10	6	4.4	7.4	10	9	30	ABL-10-6
	8	4.4	7.4	15	9	30	ABL-10-8
16	6	5.4	8.3	11	13	37	ABL-16-6
	8	5.4	8.3	11	13	37	ABL-16-8
25	8	7.0	10.0	14	16	44	ABL-25-8
	10	7.0	10.0	20	16	44	ABL-25-10
35	8	8.0	10.8	15	18	47	ABL-35-8
	10	8.0	10.8	20	18	47	ABL-35-10
50	8	9.3	13.0	18	22	54	ABL-50-8
	10	9.3	13.0	23	22	54	ABL-50-10
70	10	11.6	16.0	22	26	60	ABL-70-10
	12	11.6	16.0	22	26	60	ABL-70-12
95	12	12.9	17.1	25	28	64	ABL-95-12
	18	12.9	17.1	25	28	64	ABL-95-18
120	10	14.8	19.6	28	32	73	ABL-120-10
	12	14.8	19.6	28	32	73	ABL-120-12
150	12	16.1	21.2	31	34	79	ABL-150-12
	16	16.1	21.2	31	34	79	ABL-150-16
185	12	18.0	23.7	34	36	84	ABL-185-12
	16	18.0	23.7	34	36	84	ABL-185-16
225	12	20.6	27.0	39	40	94	ABL-225-12
240	12	22.0	28.0	40	44	102	ABL-240-12
	16	22.0	28.0	40	44	102	ABL-240-16
300	16	24.0	31.0	45.7	47	115	ABL-300-16
	20	24.0	31.0	45.7	47	115	ABL-300-20
400	20	28.0	36.0	51	56	130	ABL-400-20
500	20	30.0	41.0	58	60	140	ABL-500-20
630	20	35.0	46.0	66	69	154	ABL-630-20
800	20	39.0	51.0	73	77	180	ABL-800-20
1000	20	43.5	57.0	81	100	220	ABL-1000-20

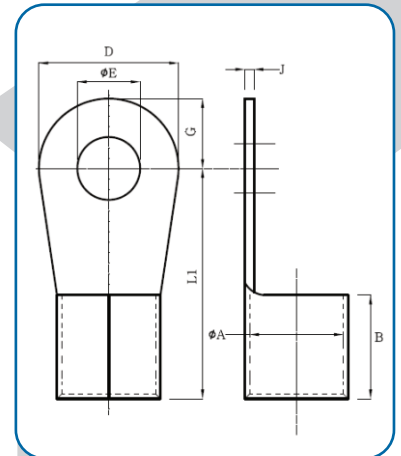


COPPER RING TYPE TERMINAL ENDS

MATERIAL : ETP - COPPER

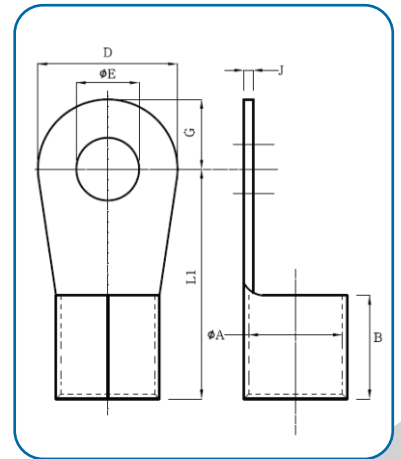
FINISH : ELECTRO TINNED

CABLE MM ²	E BOLT MM ϕ	ϕA	D	B	G	L-1	J	GLOBEX CAT. NO.
1.5	M3	1.6	6.0	5	3.0	11	0.8	CRL-1.5-3
	M3							CRL-1.5-3A
	M4							CRL-1.5-4
	M3	1.6	6.8	5	3.4	9.6	0.8	CRL-1.5-3B
	M4							CRL-1.5-4A
	M4	1.6	8.0	5	4.0	12.0	0.8	CRL-1.5-4B
	M5							CRL-1.5-5
	M4	1.6	7.0	5	3.5	11.0	0.8	CRL-1.5-4C
	M5							CRL-1.5-5A
	M6	1.6	10	5	5.0	13.0	0.8	CRL-1.5-6
M6	CRL-1.5-6A							
2.5	M3	2.3	6.5	5	3.2	9.5	0.8	CRL-2.5-3
	M3							CRL-2.5-3A
	M3							CRL-2.5-3B
	M4	2.3	8.0	5	4.0	12.0	0.8	CRL-2.5-4
	M5							CRL-2.5-5
	M5	2.3	10	5	5.0	13.0	0.8	CRL-2.5-5A
	M6							CRL-2.5-6
	M5	2.3	12	5	6.0	16.0	0.8	CRL-2.5-5B
	M6							CRL-2.5-6
	M8	2.3	16	5	8.0	17.0	0.8	CRL-2.5-8
M8	CRL-2.5-8A							
M10	2.3	18	5	9.0	20.0	0.8	CRL-2.5-10	
4-6	M4	3.5	8.0	6	4.0	13.0	1.0	CRL-4.6-4
	M5							CRL-4.6-5
	M5	3.5	10	6	5.0	14.0	1.0	CRL-4.6-5A
	M6							CRL-4.6-6
	M8	3.5	12	6	6.0	14.0	1.0	CRL-4.6-8
	M6							CRL-4.6-6A
	M6	3.5	14	6	7.0	18.5	1.0	CRL-4.6-6B
	M8							CRL-4.6-8A
	M8	3.5	16	6	8.0	22.0	1.0	CRL-4.6-8B
	M10							CRL-4.6-10
M12	3.5	18	6	9.0	21.0	1.0	CRL-4.6-12	
10	M5	4.3	10	8	5	17	1.0	CRL-10-5
	M5							CRL-10-5A
	M6	4.3	12	8	6	17	1.0	CRL-10-6
	M8							CRL-10-8
	M10	4.3	22	8	11	23	1.0	CRL-10-10
	M12							CRL-10-12
16	M5	5.6	10	10	5	19	1.2	CRL-16-5
	M6							CRL-16-6
	M8	5.6	16	10	8	22	1.2	CRL-16-8
	M10							CRL-16-10
	M12	5.6	22	10	11	24	1.2	CRL-16-12
25	M6	7.5	12	11	6	25	1.8	CRL-25-6
	M8							CRL-25-8
	M10	7.5	22	11	11	31	1.8	CRL-25-10
	M12							CRL-25-12
35	M6	9.0	16	12	8	23	1.8	CRL-35-6
	M8							CRL-35-8
	M10	9.0	22	12	11	31	1.8	CRL-35-10
	M12							CRL-35-12



COPPER RING TYPE TERMINAL ENDS (Contd...)

CABLE MM ²	E BOLT MM ϕ	ϕA	D	B	G	L-1	J	GLOBEX CAT. NO.
50	M8	10.5	18	16	9	34	1.8	CRL-50-8
	M10	10.5	22	16	11	32	1.8	CRL-50-10
	M12	10.5	24	16	12	36	1.8	CRL-50-12
	M16	10.5	32	16	16	38	1.8	CRL-50-16
70	M10	12.0	22	18	11	36	2.0	CRL-70-10
	M12	12.0	24	18	12	36	2.0	CRL-70-12
	M16	12.0	28	18	14	40	2.0	CRL-70-16
95	M10	13.5	24	20	12	38	2.3	CRL-95-10
	M12	13.5	24	20	12	38	2.3	CRL-95-12
	M16	13.5	28	20	14	44	2.3	CRL-95-16
120	M12	15.0	26	22	13	39	2.6	CRL-120-12
	M16	15.0	32	22	16	48	2.6	CRL-120-16
	M20	15.0	40	22	20	52	2.6	CRL-120-20
150	M12	16.5	34	24	17	49	3.6	CRL-150-12
	M16	16.5	34	24	17	49	3.6	CRL-150-16
	M20	16.5	40	24	20	54	3.6	CRL-150-20



COPPER RING TYPE TERMINAL ENDS - INSULATED

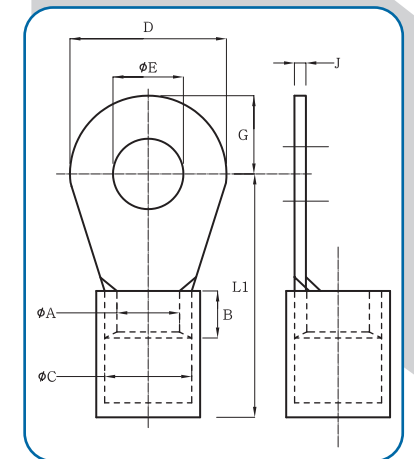
MATERIAL : ETP - COPPER

FINISH : ELECTRO TINNED

COLOUR CODING OF INSULATION SLEEVE :



CABLE MM ²	E BOLT MM ϕ	ϕA	D	B	G	L-1	ϕC	J	GLOBEX CAT. NO.
1.5	3	1.6	6.0	5	3.0	16	3.2	0.8	CRLI-1.5-3
	3.5								CRLI-1.5-3.5
	4								CRLI-1.5-4
	3.5	1.6	6.8	5	3.4	14.6	3.2	0.8	CRLI-1.5-3.5A
	4								CRLI-1.5-4A
	4								CRLI-1.5-4B
	5	1.6	8.0	5	4.0	17.0	3.2	0.8	CRLI-1.5-5
	4								CRLI-1.5-4C
	5								CRLI-1.5-5A
	5	1.6	10.0	5	5.0	18.0	3.2	0.8	CRLI-1.5-5B
6	CRLI-1.5-6								
6	CRLI-1.5-6								
2.5	3	2.3	6.5	5	3.2	14.5	3.9	0.8	CRLI-2.5-3
	3.5								CRLI-2.5-3.5
	3.5								CRLI-2.5-3.5A
	4	2.3	8.0	5	4.0	17.0	3.9	0.8	CRLI-2.5-4
	5								CRLI-2.5-5
	5								CRLI-2.5-5A
	6	2.3	10.0	5	5.0	18.0	3.9	0.8	CRLI-2.5-6
	5								CRLI-2.5-5B
	6								CRLI-2.5-6A
	8	2.3	12.0	5	6.0	21.0	3.9	0.8	CRLI-2.5-8
8	CRLI-2.5-8A								
10	CRLI-2.5-10								
4-6	4	3.5	8.0	6	4.0	5.5	21.0	1.0	CRLI-4.6-4
	5								CRLI-4.6-5
	5								CRLI-4.6-5A
	6	3.5	10.0	6	5.0	5.5	22.0	1.0	CRLI-4.6-6
	8								CRLI-4.6-8
	6								CRLI-4.6-6A
	6	3.5	12.0	6	6.0	5.5	24.0	1.0	CRLI-4.6-6B
	8								CRLI-4.6-8A
	8								CRLI-4.6-8B
	10	3.5	14.0	6	7.0	5.5	26.5	1.0	CRLI-4.6-10
12	CRLI-4.6-12								



COPPER RING TYPE TERMINAL ENDS - PRE INSULATED

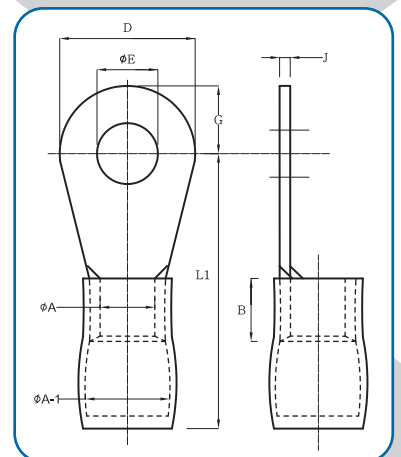
MATERIAL : ETP - COPPER

FINISH : ELECTRO TINNED

COLOUR CODING OF INSULATION SLEEVE :



CABLE MM ²	E BOLT MMφ	φA	D	B	G	φA-1	L-1	J	GLOBEX CAT. NO.
1.5	3	1.6	6.0	5	3.0	3.6	16	0.8	CRLID-1.5-3
	3.5								CRLID-1.5-3.5
	4								CRLID-1.5-4
	3.5	1.6	6.8	5	3.4	3.6	14.6	0.8	CRLID-1.5-3.5A
	4								CRLID-1.5-4A
	4								CRLID-1.5-4B
	5	1.6	8.0	5	4.0	3.6	17.0	0.8	CRLID-1.5-5
	4	1.6	7.0	5	3.5	3.6	16.0	0.8	CRLID-1.5-4C
	5	1.6	10.0	5	5.0	3.6	18.0	0.8	CRLID-1.5-5A
	5	1.6	10.0	5	5.0	3.6	18.0	0.8	CRLID-1.5-5B
6	1.6	12.0	5	6.0	3.6	17.0	0.8	CRLID-1.5-6	
2.5	3	2.3	6.5	5	3.2	3.6	17.7	0.8	CRLID-2.5-3
	3.5								CRLID-2.5-3.5
	3.5								CRLID-2.5-3.5A
	4	2.3	8.0	5	4.0	3.6	17.0	0.8	CRLID-2.5-4
	5	2.3	10.0	5	5.0	3.6	18.0	0.8	CRLID-2.5-5A
	5								CRLID-2.5-5A
	6								CRLID-2.5-6
	5	2.3	12.0	5	6.0	3.6	21.0	0.8	CRLID-2.5-5B
	6	2.3	12.0	5	6.0	3.6	21.0	0.8	CRLID-2.5-6A
	8	2.3	16.0	5	8.0	3.6	22.0	0.8	CRLID-2.5-8
8	CRLID-2.5-8A								
10	CRLID-2.5-10								
4-6	4	3.5	8.0	6	4.0	6.4	22.0	1.0	CRLID-4.6-4
	5								CRLID-4.6-5
	5								CRLID-4.6-5A
	6	3.5	10.0	6	5.0	6.4	23.0	1.0	CRLID-4.6-6
	8	3.5	12.0	6	6.0	6.4	23.0	1.0	CRLID-4.6-8
	6	3.5	12.0	6	6.0	6.4	25.0	1.0	CRLID-4.6-6A
	6	3.5	14.0	6	7.0	6.4	27.5	1.0	CRLID-4.6-6B
	8	3.5	14.0	6	7.0	6.4	27.5	1.0	CRLID-4.6-8A
	8	3.5	16.0	6	8.0	6.4	31.0	1.0	CRLID-4.6-8B
	10	3.5	18.0	6	9.0	6.4	30.0	1.0	CRLID-4.6-10
12	CRLID-4.6-12								

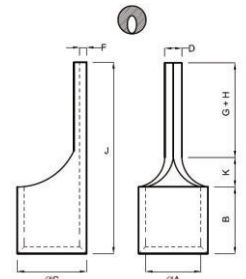


MATERIAL : ETP - COPPER
FINISH : ELECTRO TINNED

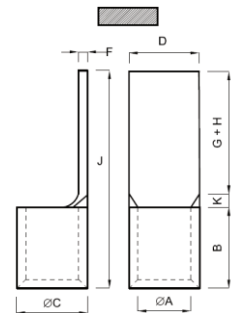
COPPER PIN TYPE TERMINAL ENDS



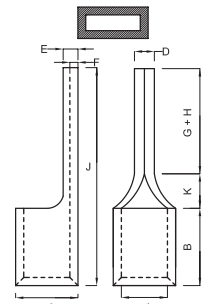
CABLE MM ²	A	C	D	F	E	B	K	G+H	J	TYPE	GLOBEX CAT. NO.
1	1.2	2.8	1.7	0.8	-	5.0	2.0	10.0	17.0	1	CPL-0.75
1.5	1.6	3.2	1.9	0.8	-	5.0	2.0	10.0	17.0	1	CPL-1.5
1.5	1.6	3.2	3.1	0.8	-	5.0	2.0	10.0	17.0	2	CPL-1.5F
2.5	2.3	3.9	1.9	0.8	-	5.0	2.0	10.0	17.0	1	CPL-2.5
2.5	2.3	3.9	3.1	0.8	-	5.0	2.0	10.0	17.0	2	CPL-2.5F
4	2.9	4.9	2.7	1.0	-	6	4.0	10.0	20.0	1	CPL-4
6	3.6	5.6	2.7	1.0	-	6.0	4.0	10.0	20.0	1	CPL-6
10	4.4	6.4	2.6	1.0	2.6	6.4	1.6	12.4	20.4	1	CPL-10
16	5.8	8.2	5.5	1.2	2.6	10.0	3.0	13.0	26.0	3	CPL-16
25	7.5	11.1	7.2	1.8	3.8	11.0	7.0	15.0	33.0	3	CPL-25
35	9.0	12.6	8.2	1.8	3.8	12.0	6.0	15.0	33.0	3	CPL-35
50	10.5	14.1	9.0	1.8	3.8	16.0	8.0	17.0	41.0	3	CPL-50
70	12.0	16.0	10.0	2.0	4.1	16.0	14.0	16.0	46.0	3	CPL-70
95	13.5	18.1	10.0	2.3	4.8	20.0	11.0	20.0	51.0	3	CPL-95



TYPE - 1



TYPE - 2



TYPE 3

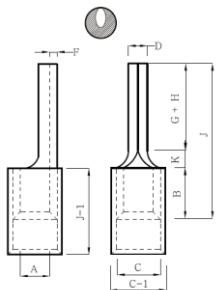


COPPER PIN TYPE TERMINAL ENDS - INSULATED

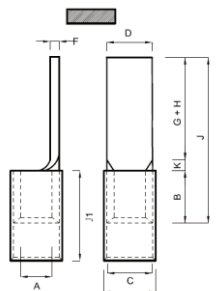
MATERIAL : ETP - COPPER

FINISH : ELECTRO TINNED

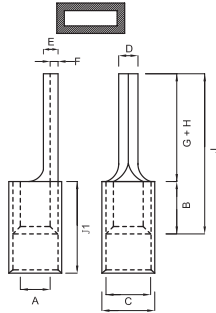
COLOUR CODING OF INSULATION SLEEVE :



TYPE 1



TYPE 2



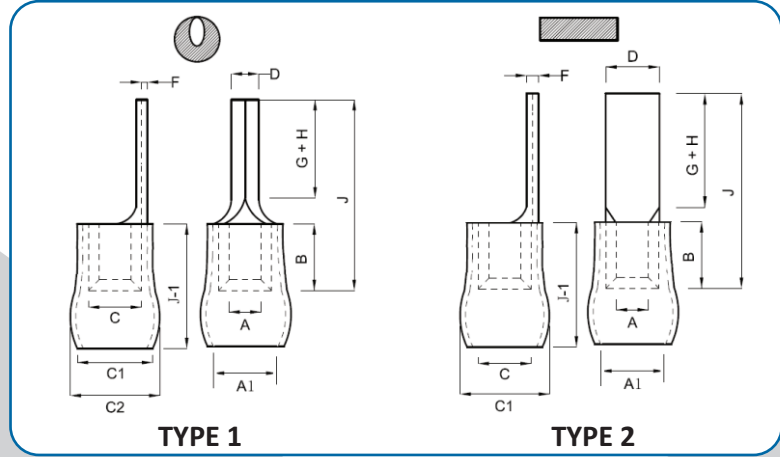
TYPE 3

CABLE MM ²	A	C	D	F	E	B	G+H	J	C-1	J-1	TYPE	GLOBEX CAT. NO.
1	1.2	2.8	1.7	0.8	-	5	10	17	4.8	10	1	CPLI -1
1.5	1.6	3.2	1.9	0.8	-	5	10	17	4.8	10	1	CPLI -1.5
1.5	1.6	3.2	3.1	0.8	-	5	10	17	4.8	10	2	CPLI -1.5F
2.5	2.3	3.9	1.9	0.8	-	5	10	17	5.5	10	1	CPLI -2.5
2.5	2.3	3.9	3.1	0.8	-	5	10	17	5.5	10	2	CPLI -2.5F
4	2.9	4.9	2.7	1.0	-	6	10	20	7.1	14	1	CPLI -4
4	3.6	5.6	5.1	1.0	--	6	10	20	7.1	14	2	CPLI -4F
6	3.6	5.6	2.7	1.0	-	6	10	20	7.1	14	1	CPLI -6
6	4.0	6.0	2.7	1.0	-	6	10	20	7.9	14	2	CPLI -6F
10	4.5	6.7	4.3	1.2	2.4	8	12	22	7.9	16	3	CPLI -10
16	5.8	8.2	5.0	1.2	2.6	10	13	26	10.0	20	3	CPLI -16

COPPER PIN TYPE TERMINAL ENDS - PRE INSULATED

MATERIAL : ETP - COPPER
FINISH : ELECTRO TINNED

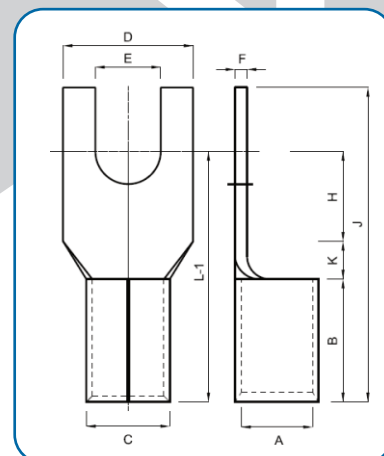
COLOUR CODING OF INSULATION SLEEVE :



CABLE MM ²	A	C	D	F	B	G+H	J	J-1	A-1	C-1	C-2	TYPE	LOBEX CAT. NO.
1.5	1.6	3.2	1.9	0.8	5	10	17	10	3.6	4.8	5.4	1	CPLID-1.5
2.5	2.3	3.9	1.9	0.8	5	10	17	10	4.4	5.4	6.0	1	CPLID-2.5
2.5	2.3	3.9	3.1	0.8	5	10	17	10	4.4	5.4	6.0	2	CPLID-2.5F
4	2.9	4.9	2.7	1.0	6	10	20	15	6.4	7.2	8.6	1	CPLID-4

COPPER FORK TYPE TERMINAL ENDS

MATERIAL : ETP - COPPER
FINISH : ELECTRO TINNED

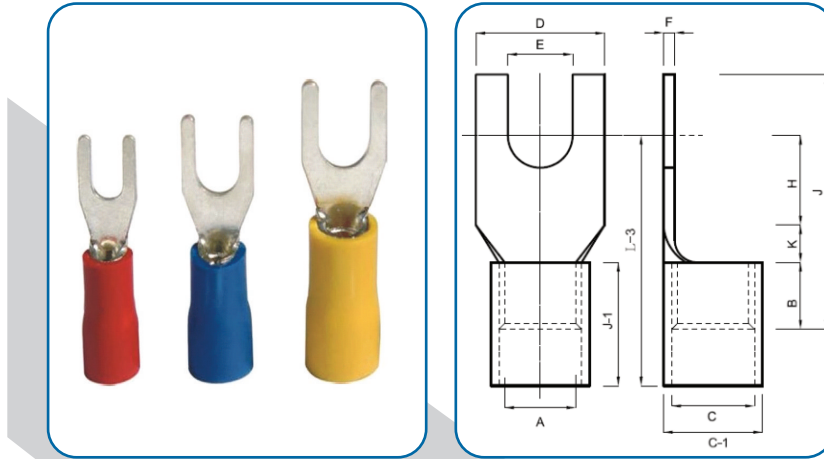


CABLE MM ²	E	A	C	D	F	B	K	H	L-1	J	LOBEX CAT. NO.
1.5	3.5	1.6	3.2	6.8	0.8	4	-	4.8	8.8	13	CFL-1.5
2.5	3.5	2.3	3.9	6.5	0.8	5	2.5	4.3	11.8	15	CFL-2.5
3.5	3.1	3.5	5.5	6.0	1.0	6	-	5.5	11.5	15	CFL-3.5
4.3	3.5	3.5	5.5	6.0	1.0	6	-	5.0	11.0	15	CFL-4.3

COPPER FORK TYPE TERMINAL ENDS - INSULATED

MATERIAL : ETP - COPPER
FINISH : ELECTRO TINNED

COLOUR CODING OF INSULATION SLEEVE :

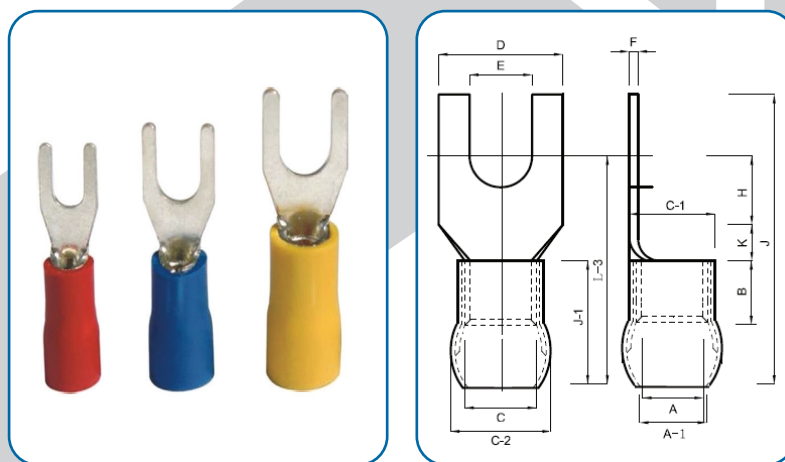


CABLE MM ²	E	A	C	D	F	B	K	H	J	C-1	J-1	L-3	LOBEX CAT. NO.
1.5	3.5	1.6	3.2	6.8	0.8	4	-	4.8	13	4.8	10	20.8	CFLI-1.5
2.5	3.5	2.3	3.9	6.5	0.8	5	2.5	4.3	15	5.5	10	21.8	CFLI-2.5
3.5	3.1	3.5	5.5	6.0	1.0	6	-	11.0	27	7.9	16	35.0	CFLI-3.5
4.3	3.5	3.5	5.5	6.0	1.0	6	-	11.0	27	7.9	16	35.0	CFLI-4.3

COPPER FORK TYPE TERMINAL ENDS - PRE INSULATED

MATERIAL : ETP - COPPER
FINISH : ELECTRO TINNED

COLOUR CODING OF INSULATION SLEEVE :



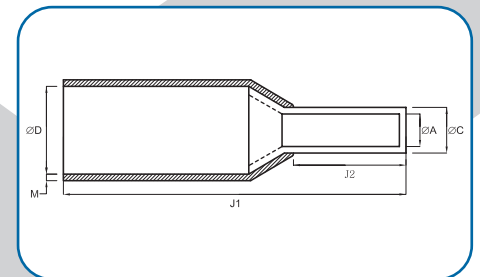
CABLE MM ²	E	A	C	D	F	B	H	J	J-1	A-1	C-1	L-3	C-2	LOBEX CAT. NO.
1.5	3.5	1.6	3.2	6.8	0.8	4	4.8	13	10	3.6	4.8	14.8	5.4	CFLID-1.5
2.5	3.5	2.3	3.9	6.5	0.8	5	4.3	15	10	4.4	5.4	16.8	6.0	CFLID-2.5
3.5	3.1	3.5	5.5	6.0	1.0	6	5.5	15	15	6.4	7.1	20.5	8.6	CFLID-3.5
4.3	3.5	3.5	5.5	6.0	1.0	6	5.0	15	15	6.4	7.1	20.0	8.6	CFLID-4.3

END SEALING FERRULES - INSULATED

MATERIAL : ETP - COPPER

FINISH : ELECTRO TINNED

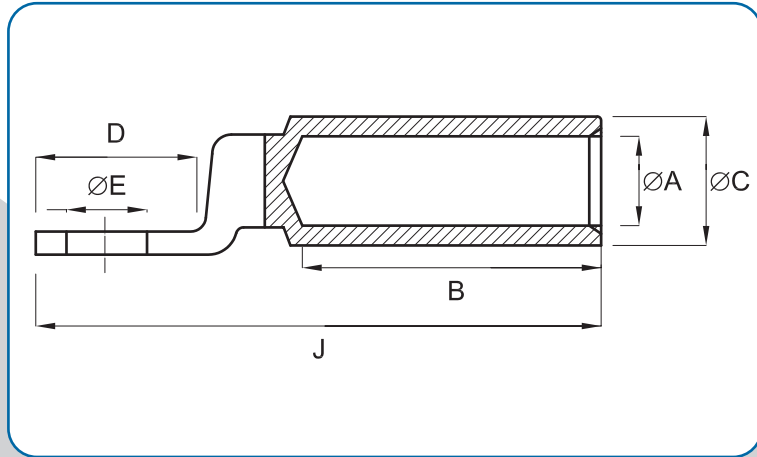
CABLE MM ²	J2	A	C	D	M	J1	GLOBEX CAT. NO.
0.5	6	1.0	1.3	2.6	0.5	12	GHI-0.5-6
	8	1.0	1.3	2.6	0.5	14	GHI-0.5-8
	10	1.0	1.3	2.6	0.5	16	GHI-0.5-10
0.75	6	1.2	1.5	2.8	0.5	12	GHI-0.75-6
	8	1.2	1.5	2.8	0.5	14	GHI-0.75-8
	10	1.2	1.5	2.8	0.5	16	GHI-0.75-10
	12	1.2	1.5	2.8	0.5	18	GHI-0.75-12
1.0	6	1.4	1.7	3.0	0.5	12	GHI-1-6
	8	1.4	1.7	3.0	0.5	14	GHI-1-8
	10	1.4	1.7	3.0	0.5	16	GHI-1-10
	12	1.4	1.7	3.0	0.5	18	GHI-1-12
1.5	8	1.7	2.0	3.5	0.5	14	GHI-1.5-8
	10	1.7	2.0	3.5	0.5	16	GHI-1.5-10
	12	1.7	2.0	3.5	0.5	18	GHI-1.5-12
2.5	8	2.3	2.6	4.0	0.5	15	GHI-2.5-8
	10	2.3	2.6	4.0	0.5	17	GHI-2.5-10
	12	2.3	2.6	4.0	0.5	19	GHI-2.5-12
4.0	10	2.8	3.2	4.5	0.5	17	GHI-4-10
	12	2.8	3.2	4.5	0.5	19	GHI-4-12
	18	2.8	3.3	4.8	0.5	25	GHI-4-18
6.0	10	3.5	3.9	6.0	0.5	20	GHI-6-10
	12	3.5	3.9	6.0	0.5	22	GHI-6-12
	15	3.5	3.9	6.0	0.5	25	GHI-6-15
	18	3.5	3.9	6.0	0.5	28	GHI-6-18
10.0	12	4.5	4.9	7.5	0.7	22	GHI-10-12
	15	4.5	4.9	7.5	0.7	25	GHI-10-15
	18	4.5	4.9	7.5	0.7	27	GHI-10-18
16.0	12	5.8	6.2	8.7	0.7	22	GHI-16-12
	15	5.8	6.2	8.7	0.7	25	GHI-16-15
25.0	22	7.1	7.5	11.2	0.7	34	GHI-25-22
35.0	25	7.9	8.3	12.7	0.7	39	GHI-35-25
50.0	25	9.8	10.3	15.0	0.7	40	GHI-50-25



COPPER ALUMINIUM BI - METALLIC TERMINAL ENDS

MATERIAL : ETP - COPPER
ALUMINIUM IS:5082

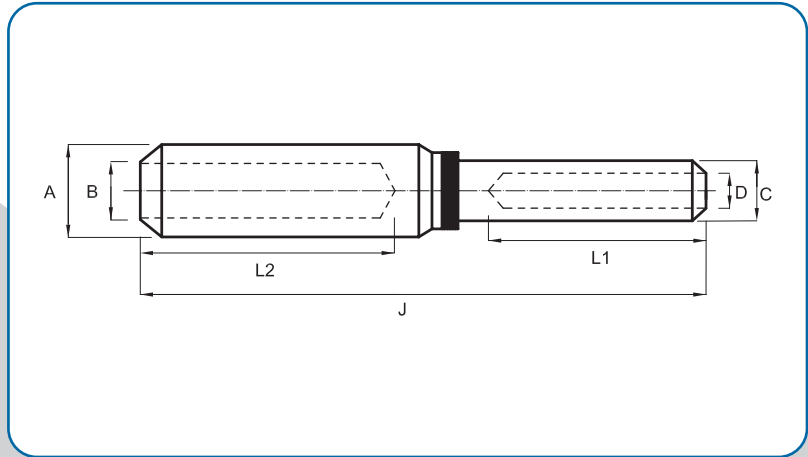
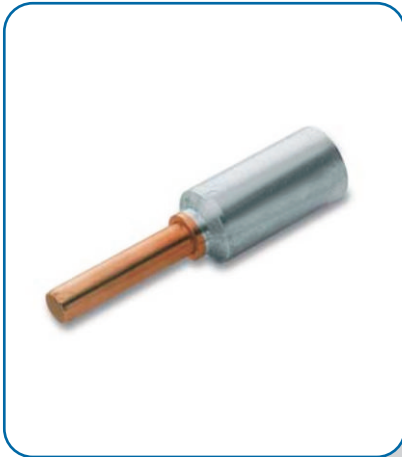
JOINING METHOD : FRICTION WELDING



CABLE MM ²	E	A	C	D	J	B	LOBEX CAT. NO.
16	10.3	5.5	16	20	79	43	CABL-16-10
25	10.3	6.5	16	20	79	43	CABL-25-10
35	10.3	8.0	16	20	79	43	CABL-35-10
50	12.8	9.0	20	25	85	43	CABL-50-12
70	12.8	11.0	20	25	85	43	CABL-70-12
95	12.8	12.5	20	25	85	43	CABL-95-12
120	12.8	13.7	25	30	108	59	CABL-120-12
150	12.8	15.5	25	30	108	59	CABL-150-12
185	14.5	17.0	32	35	115	59	CABL-185-16
240	14.5	19.5	32	35	115	59	CABL-240-16
300	16.5	23.3	40	36	137	85	CABL-300-16
400	16.5	26.0	40	36	153.5	85	CABL-400-20
500	16.5	29.1	47	60 x 60	196	95	CABL-500-20
630	4Ø9	33.5	47	60 x 60	196	95	CABL-630-20
800	4Ø9	37.5	53	80 x 80	232	100	CABL-800-20
1000	4Ø9	42.0	60	80 x 80	256	126	CABL-1000-20
1300	4Ø11	46.5	65	80 x 80	267	136	CABL-1300-20

COPPER ALUMINIUM BI METALLIC PIN TYPE TERMINAL ENDS

MATERIAL : ETP - COPPER
ALUMINIUM IS:5082
JOINING METHOD : FRICTION WELDING



CABLE MM ²	A	B	L1	C	D	L2	J	GLOBEX CAT. NO.
16	10.8	5.4	32.0	7.1	5.4	21	70	CABP-16
25	10.8	7.0	32.0	9.0	7.0	21	70	CABP-25
35	10.8	8.0	32.0	10.6	8.2	21	70	CABP-35
50	16.0	9.3	32.0	12.4	10.0	24	70	CABP-50
70	16.0	11.6	32.0	14.7	11.5	24	70	CABP-70
95	19.6	12.9	50.0	17.4	13.5	32	100	CABP-95
120	19.6	15.0	50.0	19.4	15.5	32	100	CABP-120
150	24.0	16.5	50.0	21.2	16.5	32	102	CABP-150
185	24.0	18.5	50.0	23.5	19.0	40	110	CABP-185
240	32.0	22.0	60.0	26.5	22.0	40	120	CABP-240
300	36.0	25.0	60.0	30.0	24.5	40	120	CABP-300
400	36.0	29.0	70.0	36.0	29.5	55	155	CABP-400
500	46.0	31.0	70.0	39.0	31.0	55	155	CABP-500
630	46.0	36.0	70.0	45.0	35.0	55	159	CABP-630



GLOBAL BRASS & ALLOY (INDIA)

Plot No.3971/3972, 'R' Road, G.I.D.C, Phase-III, Jamnagar - 361004, Gujarat, India.

Phone : +91(288) 2561950 / 2730227 **Fax**: +91(288)2561949

Mobile : +91 8000930012 | **Email** : info@globexworldwide.com / globex2614@gmail.com

PUNE OFFICE

461-A, 1st Floor, Budhwar Peth, Tapkir Galli, Pune-411002 (Maharashtra)
Phone : +91(20)24460910/66029717 | **Email** : vrandavanpune@gmail.com

CHENNAI OFFICE

No.24 Krishnappa Tank Street, Kondithope, Chennai-600079 (Tamil Nadu)
Phone : +91(44)42165996 | **Mobile** : +91 9385293996
Email : kpatel61@ymail.com / vrandavanchennai@gmail.com